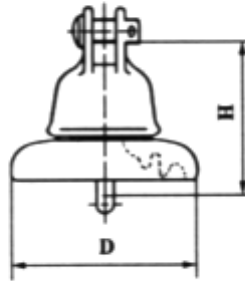


# Suspension Insulators

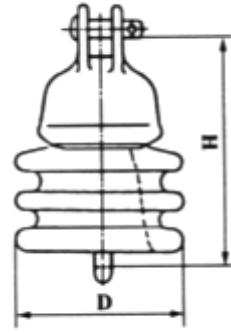
## ANSI Clevis Type



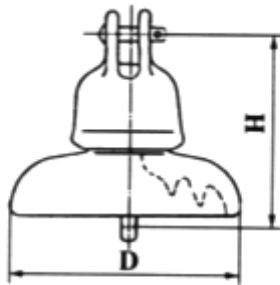
The following suspension insulators comply with the ANSI Standard . The glaze colors of the insulators are brown or light gray.



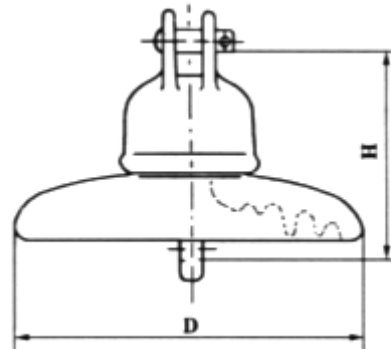
52-1



52-9



52-2



52-9  
52-4

ANSI Class		52-1	52-2	52-4	52-6	52-9
Porcelain Disc Diameter, D, mm		152	190	254	254	108
Unit Spacing, H, mm		140	146	146	146	160
Creepage Distance, mm		178	210	292	292	171
Combined M & E Strength, kN		44	67	67	111	44
Impact Strength, Nm		5	5.5	6	7	5
Routine Proof Test Load, kN		22	33.5	33.5	55.5	22
Time Load Test Value, kN		27	44	44	67	27
Power Frequency Flashover Voltage	Dry, kV	60	65	80	80	60
	Wet, kV	30	35	50	50	30
Critical Impulse Flashover Voltage	Pos., kV	100	115	125	125	100
	Neg., kV	100	115	130	130	90
Power Frequency Puncture Voltage, kV		80	90	110	110	80
Radio Influence Voltage Data	Test Voltage to Ground, kV	7.5	7.5	10	10	7.5
	Max. RIV at 1000 kHz, $\mu$ V	50	50	50	50	50
Net Weight, Approx., kg		2.5	3.5	4.6	5.5	2.5

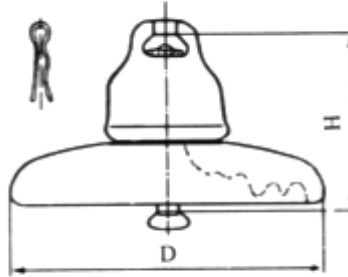
Standard Specification: ANSI C29.2

# Suspension Insulators

## ANSI Ball & Socket Type



The following suspension insulators comply with the ANSI Standard . The glaze colors of the insulators are brown or light gray.



52-3  
52-5  
52-8

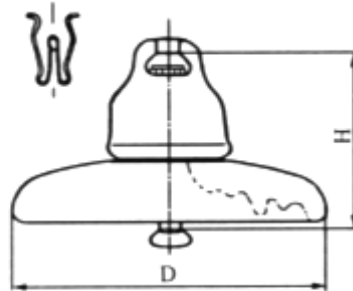
ANSI Class		52-3	52-5	52-8
Porcelain Disc Diameter,D,mm		254	254	280
Unit Spacing,H,mm		146	146	146
Creepage Distance,mm		292	292	305
Combined M & E Strength,kN		67	111	160
Impact Strength,Nm		6	7	10
Routine Proof Test Load,kN		33.5	55.5	80
Time Load Test Value,kN		44	67	107
Power Frequency Flashover Voltage	Dry,kV	80	80	80
	Wet,kV	50	50	50
Critical Impulse Flashover Voltage	Pos.,kV	125	125	125
	Neg.,kV	130	130	130
Power Frequency Puncture Voltage,kV		110	110	110
Radio Influence Voltage Data	Test Voltage to Ground,kV	10	10	10
	Max.RIV at 1000 kHz, $\mu V$	50	50	50
Net Weight,Approx.,kg		4.6	5.5	7.5

Standard Specification: ANSI C29.2

# Suspension Insulators BS Ball & Socket Type



The following suspension insulators comply with the BS Standard. The glaze colors of the insulators are brown, light gray or blue. The specified suspension insulators differing in diameter, unit spacing and creepage distance can also be provided. In addition, these insulators can be provided with zinc sleeve pins.



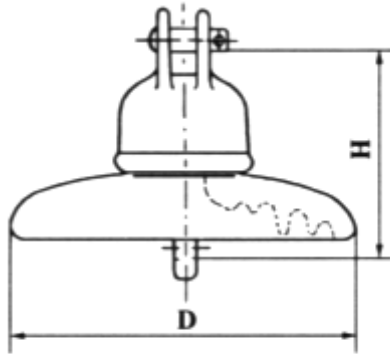
BS Class		70KN	70KN	125KN
Type		XP-70	XP-70	XP-125
Porcelain Disc Diameter, D, mm		254	254	254
Unit Spacing, H, mm		140	146	146
Standard Coupling to BS 3288		16mmB	16mmB	20
Creepage Distance, mm		292	292	292
Combined M & E Strength, kN		70	70	125
Routine Test Load, kN		28	28	50
Power Frequency Flashover Voltage	Dry, kV	78	78	78
	Wet, kV	45	45	45
50% Impulse Flashover Voltage	Pos., kV	120	120	120
	Neg., kV	125	125	125
Power Frequency Withstand Voltage	Dry, kV	70	70	70
	Wet, kV	40	40	40
Impulse Withstand Voltage, kV		110	110	110
Power Frequency Puncture Voltage, kV		110	110	110
Net Weight, Approx., kg		4.6	4.6	5.0

Standard Testing Specification: BS 137

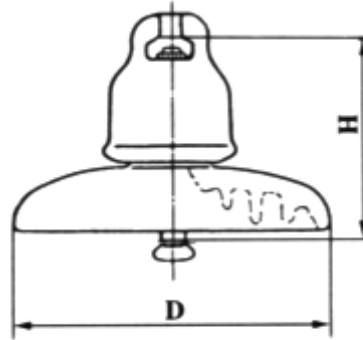
**Suspension Insulators**  
**IEC AS Clevis Type**  
**IEC AS Ball & Socket Type**



The following suspension insulators comply with the IEC and AS Standards. The glaze colors of the Insulators are brown or light gray. The specified suspension insulators differing in diameter, unit spacing and creepage distance can also be provided. In addition, these insulators can be provided with zinc sleeve pins.



XP-70C



XP-70    XP-120  
 XP-80    XP-160

IEC Class		U70C	U70BL	U80BL	U120BS	U120BL	U160BS
Type		XP-70C	XP-70	XP-80	XP-120	XP-120	XP-160
Porcelain Disc Diameter, D, mm		254	254	254	254	280	280
Unit Spacing, H, mm		146	146	146	146	170	146
Standard Coupling to IEC 120		16mmC	16mmA or B	16mm A or B	16mm A or B	16mm A or B	20
Creepage Distance, mm		292	292	292	292	292	305
Combined M & E Strength, kN		70	70	80	120	120	160
Routine Test Load, kN		28	28	32	48	48	64
Power Frequency Flashover Voltage	Dry, kV	78	78	78	78	78	80
	Wet, kV	45	45	45	45	45	47
50% Impulse Flashover Voltage	Pos., kV	120	120	120	120	120	125
	Neg., kV	125	125	125	125	125	130
Power Frequency Withstand Voltage	Dry, kV	70	70	70	70	70	75
	Wet, kV	40	40	40	40	40	45
Impulse Withstand Voltage, kV		110	110	110	110	110	115
Power Frequency Puncture Voltage, kV		110	110	110	110	110	110
Net Weight, Approx., kg		4.6	4.6	4.6	6	6	7.5

Standard Specification: IEC Pub. 383, AS2947